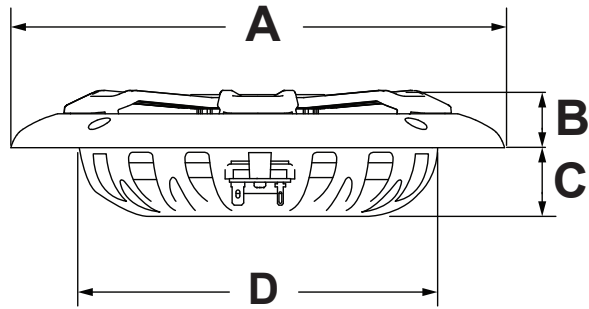


Congratulations on your choice of a MBQuart speaker. This "Quick Start" Installation guide is meant to help you complete a basic installation. For more detailed information on system setting, speaker and subwoofer configuration, and full specifications by model, visit our website at mbquart.com

CAUTION

Always consider consulting a professional audio installer before installing new speakers. Many manufacturers locate speakers behind interior panels that require special tools to remove. Be careful and take your time. If you are using the speaker wire supplied with your new speakers make sure that you run the speaker wires only through safe areas. Do not let speaker wire make contact with metal edges or hot engine components.

Speaker Dimensions



| | A | B | C | D |
|--------------|--------------|-----------|-------------|---------------|
| NF1-116SB/SW | 7.5" (190.5) | 1" (25.4) | 1.125" (29) | 5.25" (133.4) |

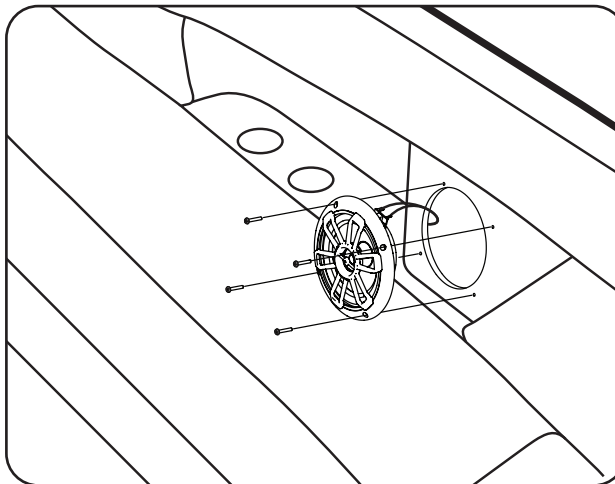
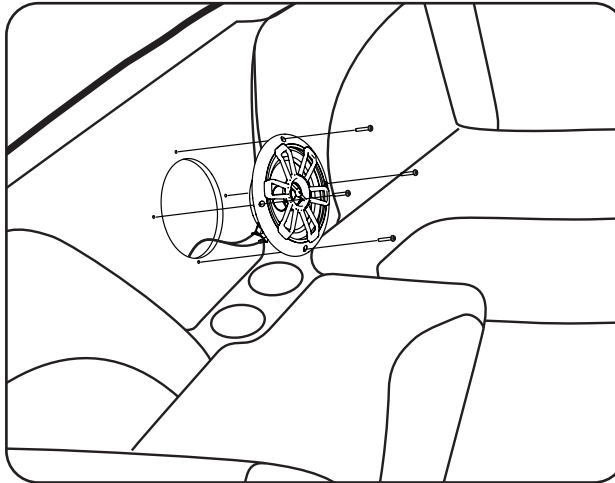
Before you start

It's a good idea to confirm that you have purchased the correct size speakers to fit your application. If you have any reservations about being able to complete the installation yourself, we recommend contacting a professional.

Speaker Mounting Location

Choose a suitable mounting location

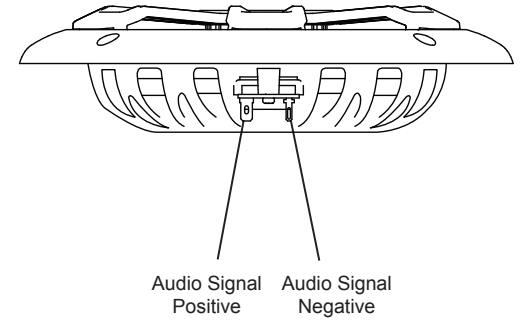
If you are replacing an older or inferior speaker, the location is chosen for you. Make sure the speaker fits properly in the hole for the old speaker. If you are creating your own new location, you must be careful to verify that there is sufficient depth to mount the speaker.



Wiring

Route signal

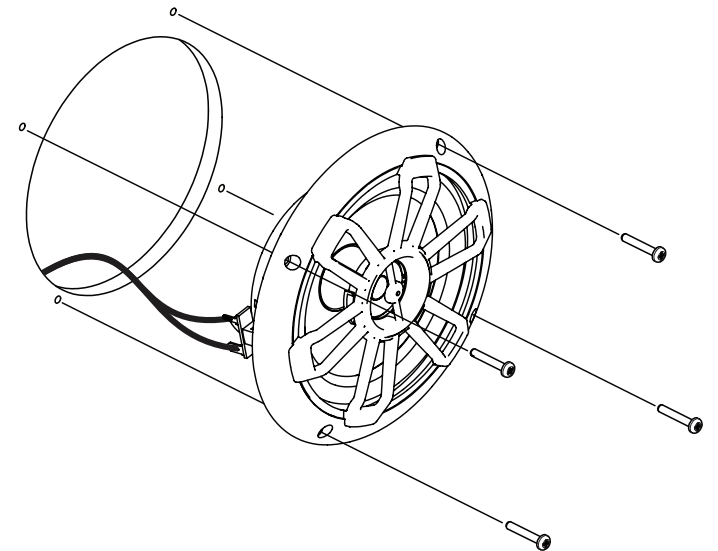
Carefully select a route for the speaker wires. If using existing speaker wires, confirm that the wire is in good shape and not shorted.



Speaker installation

Confirm fit and mount speaker

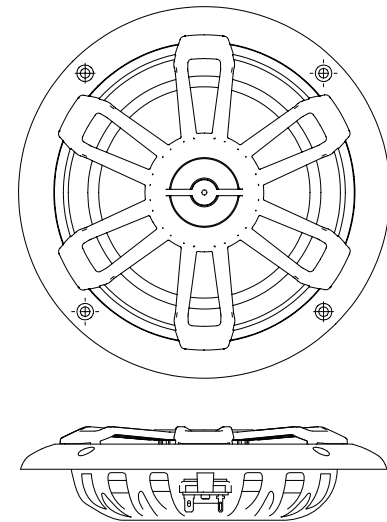
Once you are sure the speaker fits and has adequate clearance, connect the positive and negative wires to the proper terminals. Securely screw the speaker into place.





NAUTIC ULTRA COMPACT SPEAKERS

Quick Start Installation Guide



NF1-116SB
NF1-116SW



WARRANTY

Maxxsonics, LLC. warrants this product, to the original consumer purchaser, to be free from defects in material and workmanship for a period of one (1) year from the date of purchase. Maxxsonics, LLC. will, at its discretion, repair or replace defective products during the warranty period. Components that prove to be defective in materials and workmanship under proper installation and use must be returned to the original authorized Maxxsonics, LLC. retailer from where it was purchased. A photocopy of the original receipt must accompany the product being returned. The costs associated with removal, re-installation and freight are not the responsibility of Maxxsonics, LLC. This warranty is limited to defective parts and specifically excludes any incidental or consequential damages connected therewith. To view the full warranty, please visit the website.

MB Quart products are designed and engineered in the USA by

MAXXSONICS®
www.maxxsonics.com