



UTV & RZR Tuned Audio Systems



MBQ-UNI8-1

Universal 8 Inch STAGE 2 400 Watt UTV Audio System

For additional technical information on this and all MBQUART products, go to the "SUPPORT" tab at MBQUART.com

There you will find helpful, FAQ, TEQ Tips and you can contact Technical Support via email.

©2018 Maxxsonics USA



MB QUART UNIVERSAL 8 INCH

Thanks for choosing MB QUART. This UTV Tuned Audio System has been meticulously engineered to install into your vehicle. We have made the process so simple you will be in and out of the installation in about 2 hours.

WARRANTY

Your audio system is covered by a 1 year warranty. It is important that you keep your sales receipt. Furthermore, it is crucial that you record and store a record of the serial numbers for each of the components that are included in your system. In the rare instance that a warranty claim is needed both items are required. Additional information is on the back page.

A) Sales Receipts showing the seller, date of purchase, model and price paid

B) Serial numbers for the components

INCLUDED

- Bluetooth controller
- Compact 2 channel amplifier
- Pair of roll cage mounted Tower Speakers
- 2 swivel mount brackets
- Powersports wiring harness

SAFETY

Always make your machine safe before installing any accessories

- Turn the ignition off and remove the key
- Remove the negative terminal of the battery
- Safety Glasses - always wear eye protection

TIME & TOOLS

You will need about 2 HOURS to complete this installation, depending on who is "helping."

TOOLS Required

- 1-1/8 inch hole saw
- Allen key set
- Philips hand screw Assortment of Sockets and Wrenches
- Wire Strippers and Crimpers

For additional technical information on this and all MBQUART products, go to the "SUPPORT" tab at MBQUART.com

There you will find helpful, FAQ, TEQ Tips and you can contact Technical Support via email.

©2018 Maxxsonics USA



STEP 1 - BLUETOOTH LOCATION & MOUNT

The Bluetooth controller is designed to mount in a 1-1/8 inch hole. Make sure there are no wire harnesses or mechanical parts behind the panel you would like to mount the unit.

Choose a location that is as high in the vehicle as possible to avoid deep water or mud.



The MB Quart Bluetooth Joystick Controller is so universal, it can be disguised and hidden in an off-road vehicle or classic custom build.

STEP 2 - AMP LOCATION & MOUNT

When you can, try to avoid wiring accessories directly to the battery. This is due to the fact that most UTV have their battery located low in the vehicle. You want your amplifier wired to your accessory terminal, which is usually mounted high in the dash.

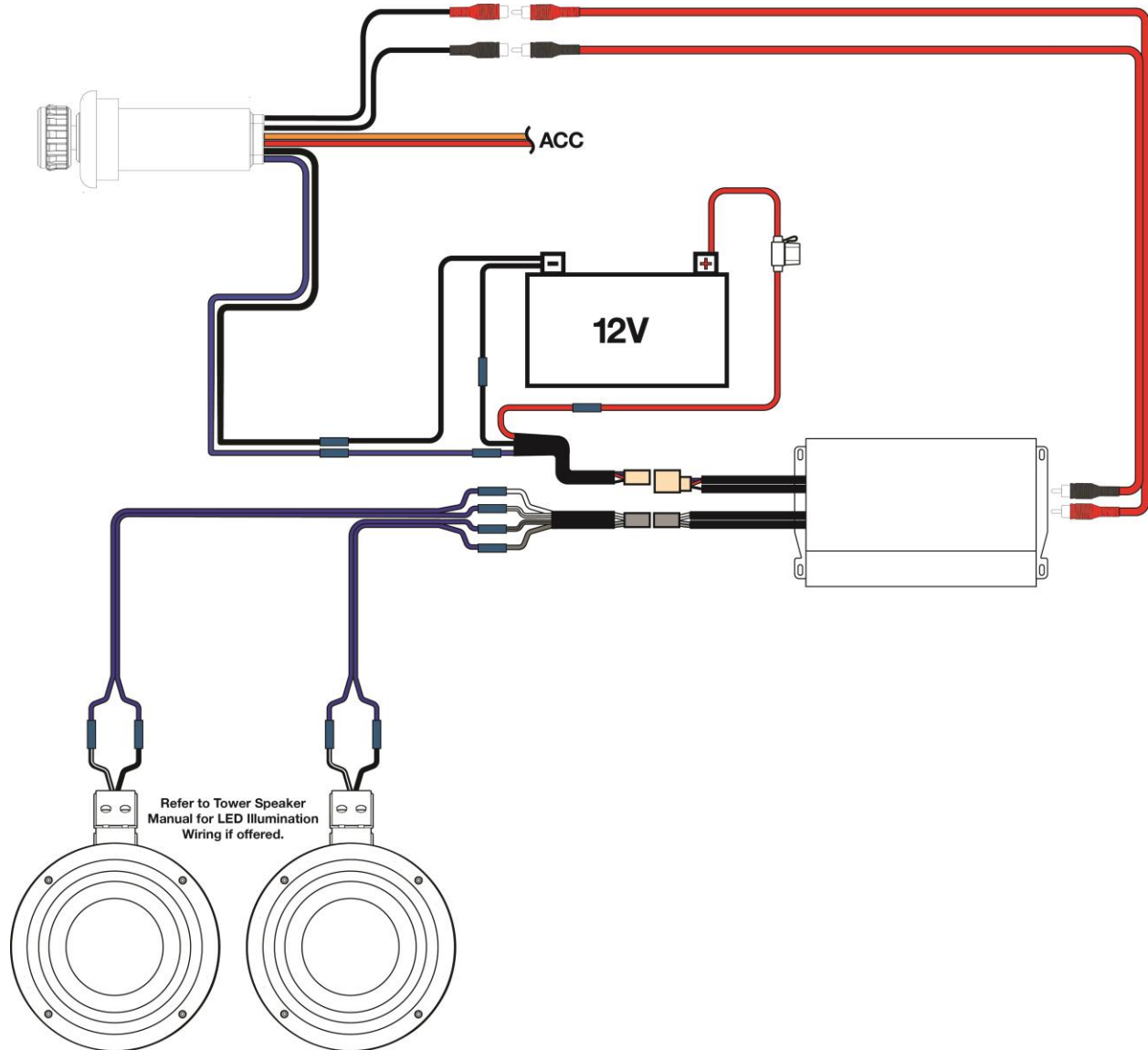
Secure the amplifiers with zip ties or small screws, depending on the area where you secure the amplifier.

For additional technical information on this and all MBQUART products, go to the "SUPPORT" tab at MBQUART.com

There you will find helpful, FAQ, TEQ Tips and you can contact Technical Support via email.

©2018 Maxxsonics USA

STEP 3 - LAYOUT HARNESS



For speakers with Illumination, follow the instructions in the speaker manual to properly wire and select the color for the illumination.

For additional technical information on this and all MBQUART products, go to the "SUPPORT" tab at MBQUART.com

There you will find helpful, FAQ, TEQ Tips and you can contact Technical Support via email.

©2018 Maxxsonics USA

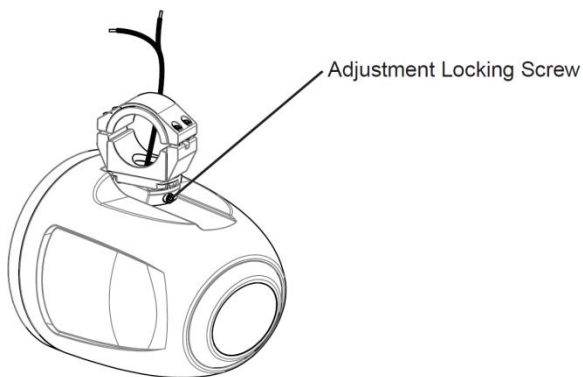
MBQUART®

STEP 4 - ROLL CAGE SPEAKER LOCATION, SWIVELS & MOUNT

Not all Tower Speakers will require the swivel mount brackets. Whether or not to use them will depend on the angle of the roll cage bar you mount the speakers on. The goal is that your speakers are facing straight forward. This will deliver the best sound quality and the most volume to the front of the machine.



Alan Yee from Hawaii featured the MB Quart UNI8 compression horns on his 1948 Ford F6 in the MB Quart booth at SEMA in Las Vegas.



Check the included manual to properly mount the swivel brackets to your speakers. Also ensure that the adjustment Locking Screw is at the rear of the assembly.

STEP 5 - SHOW YOUR FRIENDS

Congrats on a great install and an awesome audio upgrade.

Get on the trails, show your friends and show us too. We're all over social, just like you.
@MBQuart #MusicDefined

For additional technical information on this and all MBQUART products, go to the "SUPPORT" tab at MBQUART.com

*There you will find helpful, FAQ, TEQ Tips and you can contact Technical Support via email.
©2018 Maxxsonics USA*



WARRANTY CLAIMS

Maxxsonics USA Inc. warrants this product, to the original consumer purchaser, to be free from defects in material and workmanship for a period of one (1) year from the date of purchase. Maxxsonics USA Inc. will, at its discretion, repair or replace defective products during the warranty period.

Components that prove to be defective in materials and workmanship under proper installation and use must be returned to the original authorized Maxxsonics USA Inc. retailer from where it was purchased for the first 30 days from date of purchase.

A photocopy of the original receipt must accompany the product being returned. The costs associated with removal, re-installation and freight are not the responsibility of Maxxsonics USA Inc. This warranty is limited to defective parts and specifically excludes any incidental or consequential damages connected therewith. To request an authorized warranty claim, please start on the website **MAXXWarranty.com**

SERIAL NUMBERS & RETAILER

Use the following page to keep track of your information.

For additional technical information on this and all MBQUART products, go to the "SUPPORT" tab at MBQUART.com

There you will find helpful, FAQ, TEQ Tips and you can contact Technical Support via email.

©2018 Maxxsonics USA



RECORD RETAILER & PRODUCT INFORMATION HERE

Purchased From _____
STORE NAME *DATE OF PURCHASE*

Component Number 1 _____
MODEL NUMBER *SERIAL NUMBER*

Component Number 2 _____
MODEL NUMBER *SERIAL NUMBER*

Component Number 3 _____
MODEL NUMBER *SERIAL NUMBER*

Component Number 4 _____
MODEL NUMBER *SERIAL NUMBER*

Component Number 5 _____
MODEL NUMBER *SERIAL NUMBER*

Component Number 6 _____
MODEL NUMBER *SERIAL NUMBER*

For additional technical information on this and all MBQUART products, go to the "SUPPORT" tab at MBQUART.com

There you will find helpful, FAQ, TEQ Tips and you can contact Technical Support via email.

©2018 Maxxsonics USA

