

INTERNAL AMP POD SPEAKER KIT



P/N 2881227

APPLICATION

All RZR Models

BEFORE YOU BEGIN

Read these instructions and check to be sure all parts and tools are accounted for. Please retain these installation instructions for future reference and parts ordering information.

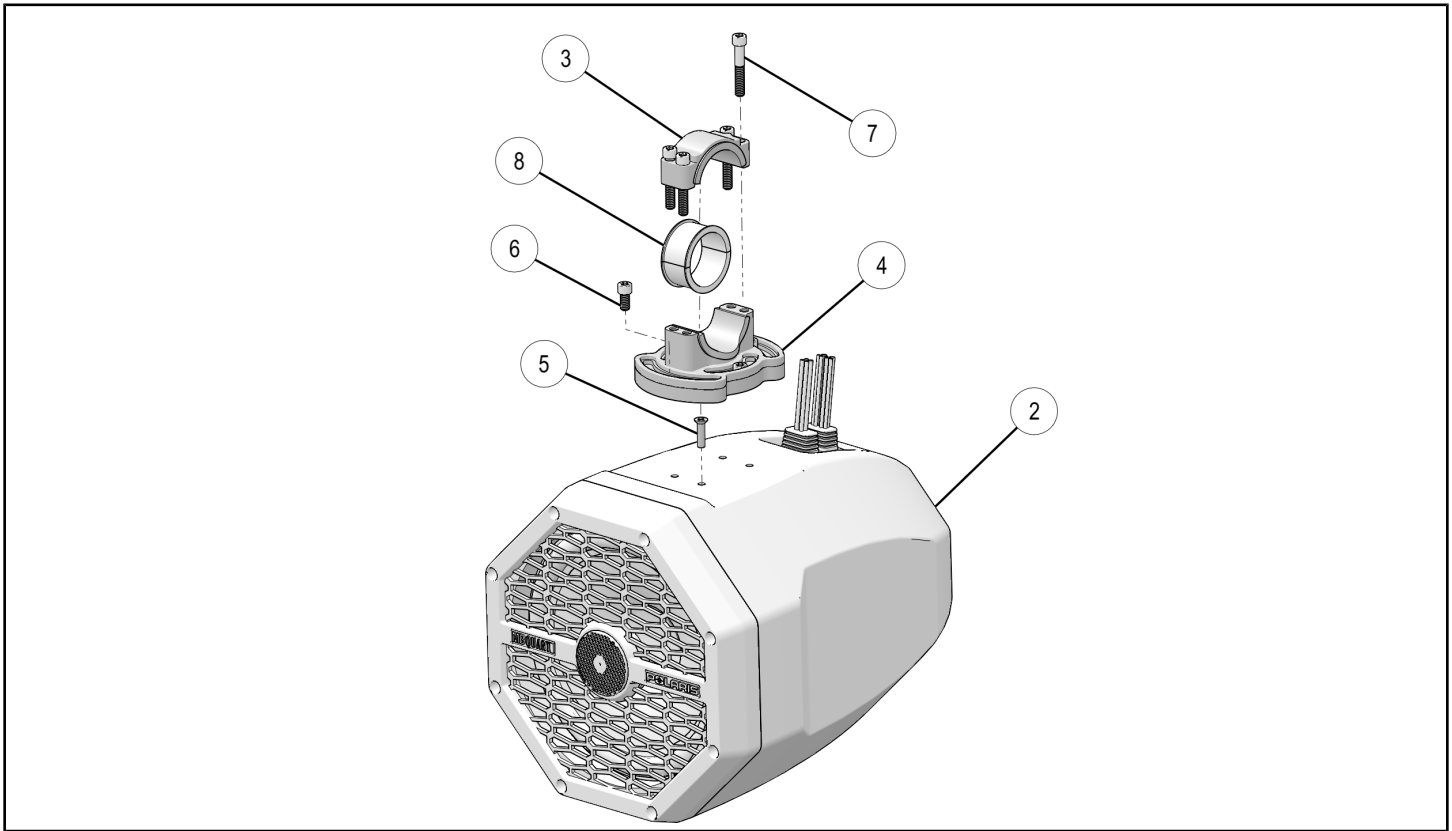
KIT CONTENTS

This kit contains parts used for physical installation of the Pod Speakers only. Electrical/audio installation requires the use of the following additional components (sold separately):

1. One of the following Bus Bar Harness Kits:
 - PN 2879862 (MY15, 2 passenger RZR)
 - PN 2880055 (MY15, 4 passenger RZR)
 - PN 2881551 (MY16, 2 passenger RZR)
 - PN 2881646 (MY16, 4 passenger RZR)
2. One Ultimate Harness Kit, PN 2881617
3. One audio source and one (or more) corresponding audio signal harness(es) as shown below:

Audio Source	Audio Signal Harness(es)
Polaris Interactive Digital Display, PN 2881554	All of the following: <ol style="list-style-type: none">a. Polaris Interactive Digital Display Adapter Harness, PN 2881649b. Line Out Harness, PN 2881652 (2 required)
Bluetooth® Controller, PN 2881470	All of the following: <ol style="list-style-type: none">a. Line Out Harness, PN 2881652 (2 required)b. Y-Harness, PN 2881651
4 Speaker Sound Bar, PN 2881230	Line Out Harness, PN 2881652
8 Speaker Sound Bar, PN 2881465	Line Out Harness, PN 2881652
MTX® Overhead Audio Pod, PN 2879459	All of the following: <ol style="list-style-type: none">a. MTX® Audio Adapter Harness, PN 2881648b. Line Out Harness, PN 2881652c. Y-Harness, PN 2881651

This Kit includes:



NOTE

Master pod speaker shown; slave pod speaker similar.

REF	QTY	PART DESCRIPTION	PART NUMBER
1	1	Speaker Pod (Slave) - 8.0" (Not Shown)	2636031
2	1	Speaker Pod (Master) - 8.0"	-
3	2	Upper Clamp	-
4	2	Lower Clamp	-
5*	8	Screw, Flathead - M6 X 1.0 X 17	-
6*	8	Screw, Socket Head - M8 X 1.25 X 13	-
7*	8	Screw, Socket Head - M8 X 1.25 X 38	-
8	4	Bushing	-
	1	Instructions	9926619

Items marked (*) are included in Hardware Kit PN 2206168.

TOOLS REQUIRED

- Safety Glasses
- Metric Hex Key Set

- Screwdriver, Slotted

IMPORTANT

Your INTERNAL AMP POD SPEAKER KIT is exclusively designed for your vehicle. Please read the installation instructions thoroughly before beginning. Installation is easier if the vehicle is clean and free of debris. For your safety, and to ensure a satisfactory installation, perform all installation steps correctly in the sequence shown.

ASSEMBLY TIME

Approximately 15 minutes

INSTALLATION INSTRUCTIONS

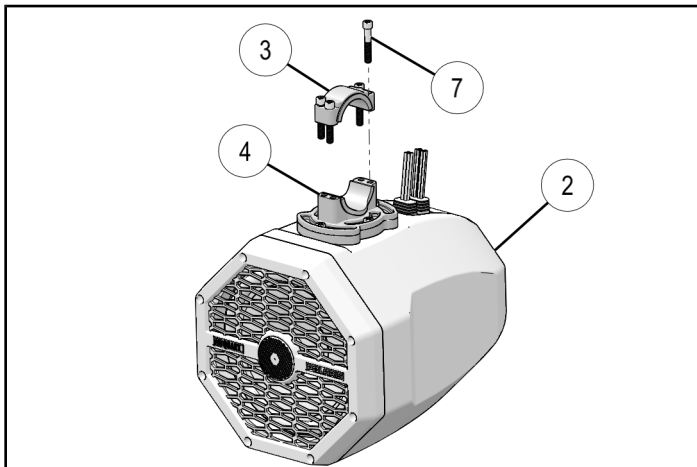
NOTE

The following instructions are for physical installation of the Pod Speakers only. Electrical installation instructions are included with the harness (sold separately). Refer to Kit Contents (above) for more information.

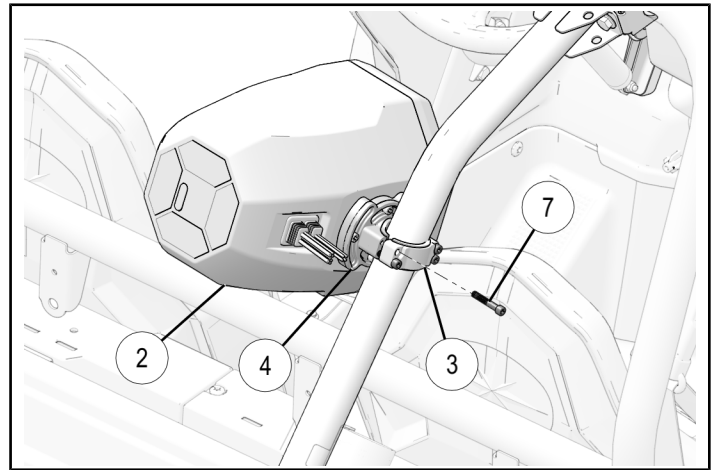
1. Place vehicle in "PARK". Turn key to "OFF" position and remove from vehicle.
2. Disassemble upper clamp ③ from lower clamp ④ by removing four screws ⑦ as shown. Retain screws.

NOTE

Do not remove lower clamp ④ from pod speaker ②.



3. Place bushings ⑧ into upper and lower clamps ③ ④, then install pod speakers ② to ROPS C-pillar by loosely assembling upper clamp ③ to lower clamp ④ using retained screws ⑦ as shown.



4. Repeat Steps 2 and 3 for opposite speaker.

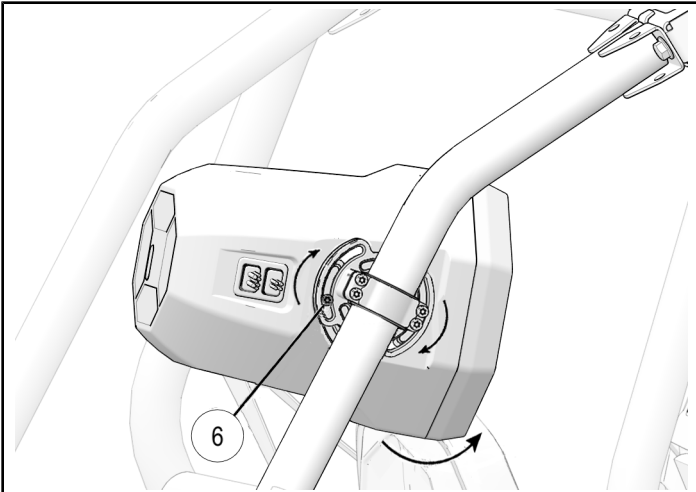
5. Orient pod speakers as desired, then tighten all screws.

CAUTION

Do not remove screws ⑥ or speaker may fall, resulting in personal injury or damage to equipment.

NOTE

Pod speakers can also be swiveled at speaker base by slightly loosening four screws ⑥ as shown, orienting as desired, then retightening screws.



6. Sound and light adjustment:
 - a. Remove rubber plug from rear of master pod speaker.

NOTE

The master speaker has two wire harnesses exiting its lower side (the slave speaker has only one wire harness).

- b. Adjust LED illumination by sliding switch to one of three positions: OFF, RED, or BLUE.
 - c. Adjust amplifier gain by turning screw with small flat-bladed screwdriver.
 - d. Reinsert plug.
7. Optional: Apply decals to pod speakers as desired.