

Congratulations on your choice of a MBQuart Subwoofer.

This "Quick Start" Installation guide is meant to help you complete a basic installation. For more detailed information on system setting, speaker and subwoofer configuration, and full specifications by model, visit our website at mbquart.com



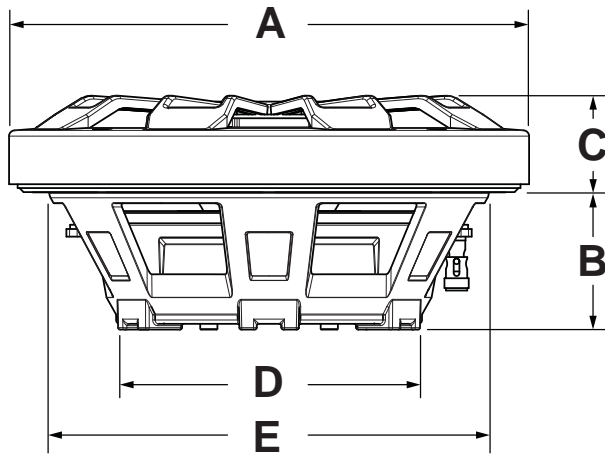
CAUTION



Always consider consulting a professional audio installer before installing new speakers. Many manufacturers locate speakers behind interior panels that require special tools to remove. Be careful and take your time.

If you are using the speaker wire supplied with your new speakers make sure that you run the speaker wires only through safe areas. Do not let speaker wire make contact with metal edges or hot engine components.

Woofer Dimensions



	A	B	C	D	E
NW1-254 / NW1-254L	10.79"(274)	2.91"(74)	1.97"(50)	6.65"(169)	9.09"(231)

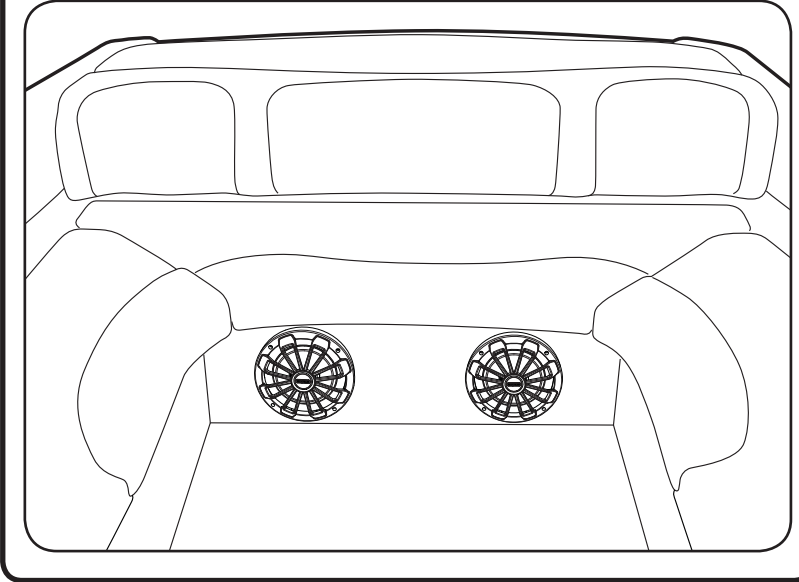
Before you start

It's a good idea to confirm that you have purchased the correct size speakers to fit your application. If you have any reservations about being able to complete the installation yourself, we recommend contacting a professional.

Woofer Mounting Location

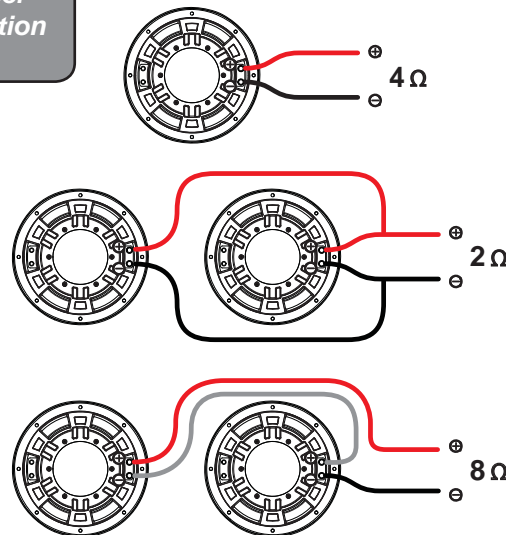
Choose a suitable mounting location

If you are replacing an older or inferior woofer, the location is chosen for you. Make sure the woofer fits properly in the hole for the old woofer. If you are creating your own new location, you must be careful to verify that there is sufficient depth to mount the woofer.



Wiring

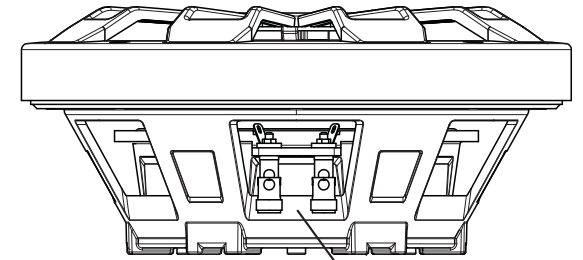
Choose the proper wiring configuration



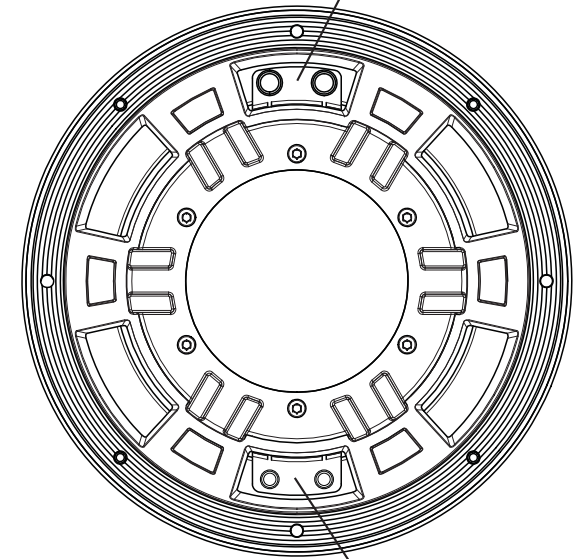
Wiring

Route signal and illumination wires

Carefully select a route for the audio signal wires. If using existing speaker wires, confirm that the wire is in good shape and not shorted. In the case of an illuminated model, route a positive and negative wire from a switched +12V source. Avoid routing wires through dangerous areas.



Audio Signal Connection (larger terminals)

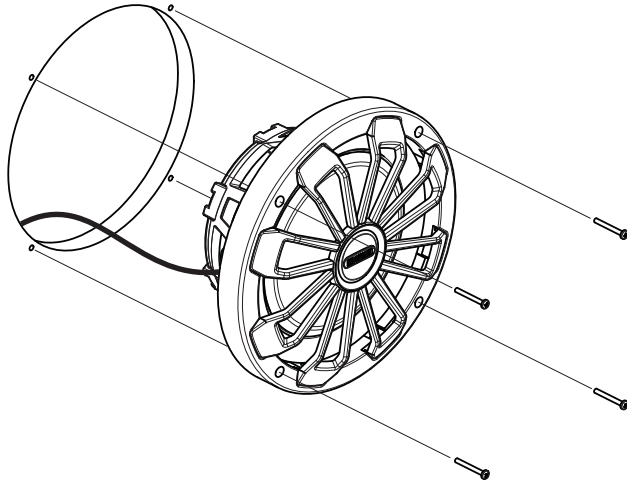


Illumination Connection (smaller terminals)

Woofer installation

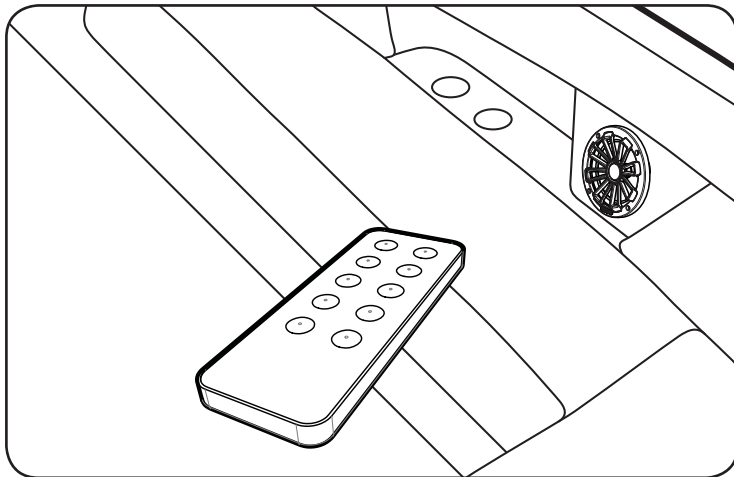
Confirm fit and mount speaker

Once you are sure the speaker fits and has adequate clearance, connect the positive and negative wires to the proper terminals. Securely screw the speaker into place.



Illumination control

If you have purchased an illuminated version, consider getting an N1-RC remote control. The remote allows you to adjust color, speed and brightness of the illumination. Check with an authorized MBQuart retailer or check our website for further details.



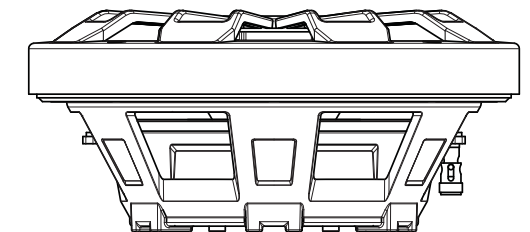
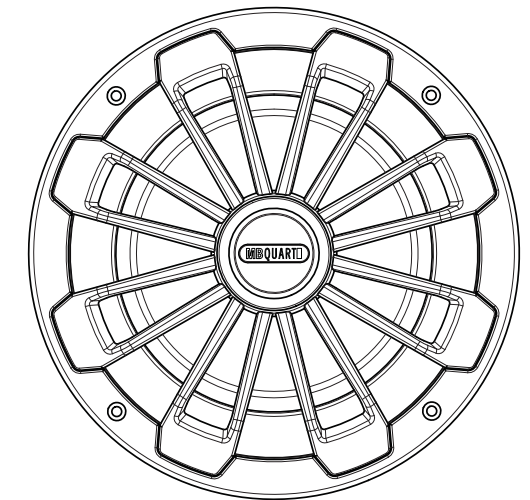
T/S Parameters

Fs: 31.46 Hz	Mms: 192.16g	Vd: 0.285 L	BL: 11.04 Tm
Qms: 4.48	Xmax: 8.65mm	Qes: 1.07	QTS: 0.86
Vas: 20.64L	Dia: 205mm	Re: 3.34 Ohms	no: 0.058%
Cms: 133.45 um/N	Sd: 0.033 sq.m	NomZ: 4.116 Ohms	1W/1M: 82 dB

MBQUART®

NAUTIC

Quick Start Installation Guide



NW1-254 NW1-254L



MBQuart.com
#MUSICDEFINED

WARRANTY

Maxxsonics USA Inc. warrants this product, to the original consumer purchaser, to be free from defects in material and workmanship for a period of one (1) year from the date of purchase. Maxxsonics USA Inc. will, at its discretion, repair or replace defective products during the warranty period. Components that prove to be defective in materials and workmanship under proper installation and use must be returned to the original authorized Maxxsonics USA Inc. retailer from where it was purchased. A photocopy of the original receipt must accompany the product being returned. The costs associated with removal, re-installation and freight are not the responsibility of Maxxsonics USA Inc. This warranty is limited to defective parts and specifically excludes any incidental or consequential damages connected therewith. To view the full warranty, please visit the website.

Hifonics products are designed and engineered in the USA by

MAXXSONICS®

847-540-7700

www.maxxsonics.com

MBQ NW wfr QSG 01 - rev2