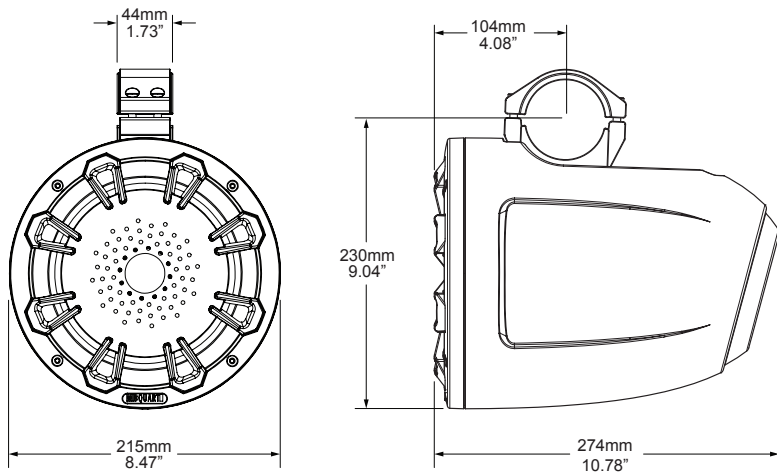


Congratulations on your choice of a MBQuart speaker. This “Quick Start” Installation guide is meant to help you complete a basic installation. For more detailed information on system setting, speaker and subwoofer configuration, and full specifications by model, visit our website at mbquart.com

CAUTION

Always consider consulting a professional audio installer before installing new speakers. Many manufacturers locate speakers behind interior panels that require special tools to remove. Be careful and take your time. If you are using the speaker wire supplied with your new speakers make sure that you run the speaker wires only through safe areas. Do not let speaker wire make contact with metal edges or hot engine components.

Dimensions



Before you start

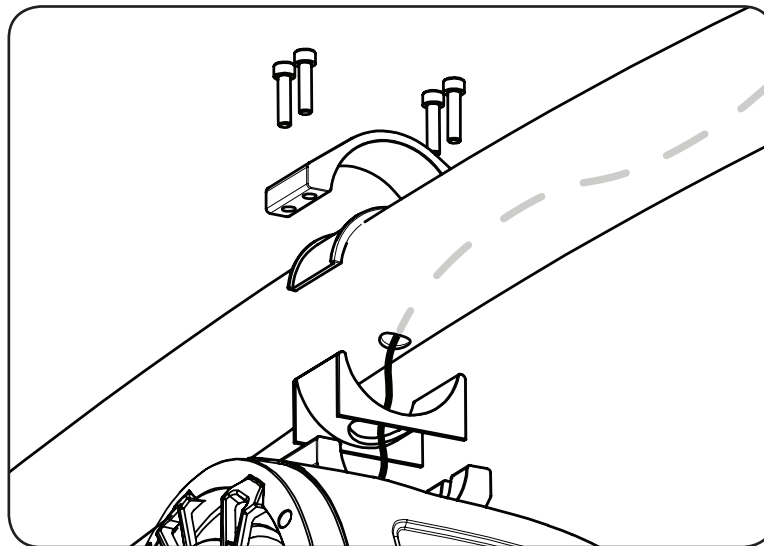
It's a good idea to confirm that you have purchased the correct size speakers to fit your application. If you have any reservations about being able to complete the installation yourself, we recommend contacting a professional.

Mounting Location

Choose a suitable mounting location

The NHT1 clamping system is designed for towers and support structures that utilize ROUND tubing. Oval tubing and flat structures will not work with this clamp. The NHT1 clamp can be used with tube diameters from 1.5" up to 2.75". Included are separate bushing sets for all tube sizes at 1/8" increments. Refer to the table below to determine your configuration.

Tube Diameter	Tube Circumference	Clamp	Top Bushing	Bottom Bushing
1.5	4.71	A	1.50	1.50
1.625	5.10	A	1.63	1.63
1.75	5.50	A	1.75	1.75
1.875	5.89	A	none	1.88
2	6.28	B	2.00	2.00
2.125	6.68	B	2.13	2.13
2.25	7.07	B	2.25	2.25
2.375	7.46	B	2.38	2.38
2.5	7.85	B	2.50	2.50
2.625	8.25	B	2.68	2.68
2.75	8.64	B	none	none

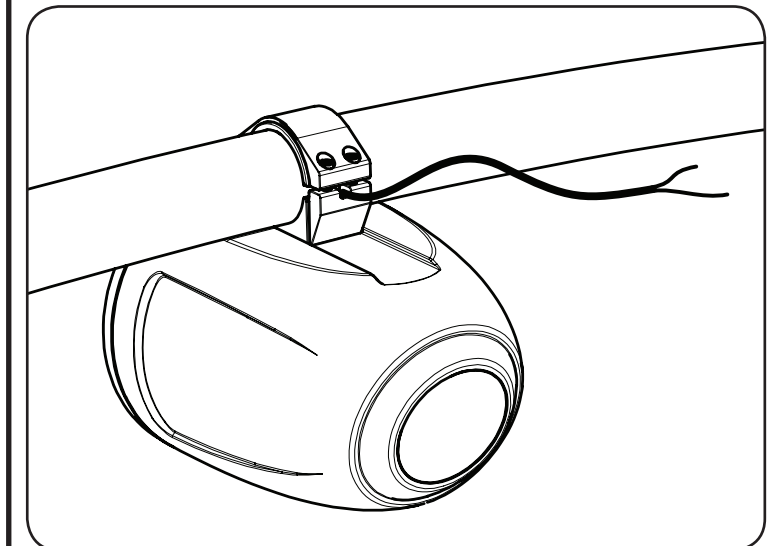
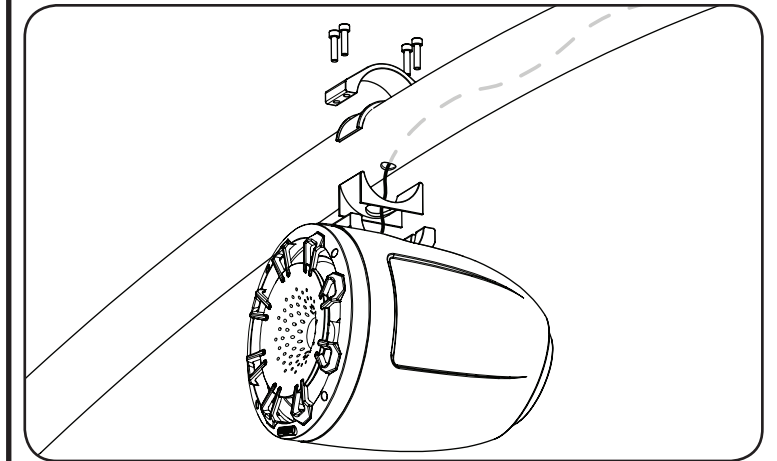


Wiring

Route signal and illumination wires

Carefully select a route for the audio signal wires. If using existing speaker wires, confirm that the wire is in good shape and not shorted. In the case of an illuminated model, route a positive and negative wire from a switched +12V source. Avoid routing wires through dangerous areas.

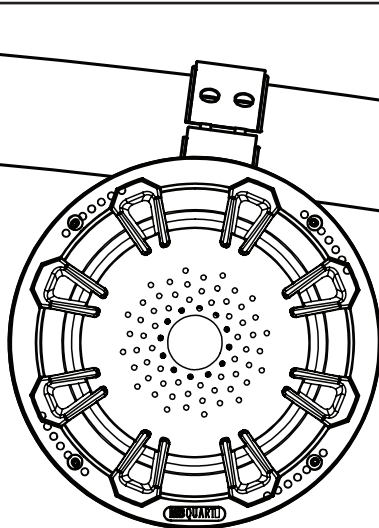
- Black Audio signal negative
- Black w/white stripe Audio signal positive
- Black Illumination negative
- Red Illumination positive



Grill alignment

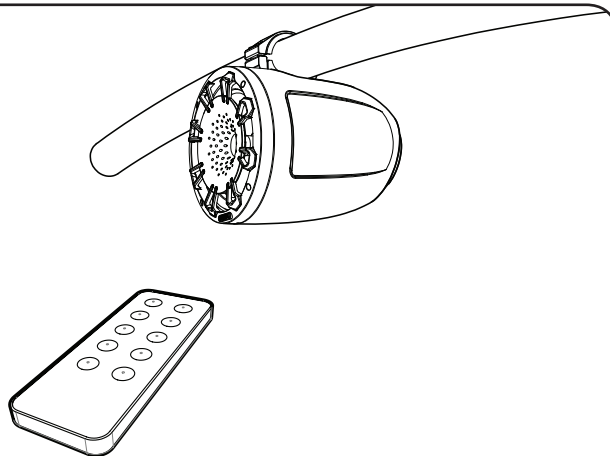
Adjust the speaker alignment

Your NHT1 speakers can be aligned to “hang straight” on an angled tube by loosening, rotating and re-mounting the speaker. Just behind the speaker mounting holes is a series mounting holes that can be used to align the speaker in the pod.



Illumination control

If you have purchased an illuminated version, consider getting an N1-RC remote control. The remote allows you to adjust color, speed and brightness of the illumination. Check with an authorized MBQuart retailer or check our website www.mbquart.com for further details.



MBQuart.com
#MUSICDEFINED

WARRANTY

Maxxsonics USA Inc. warrants this product, to the original consumer purchaser, to be free from defects in material and workmanship for a period of one (1) year from the date of purchase. Maxxsonics USA Inc. will, at its discretion, repair or replace defective products during the warranty period. Components that prove to be defective in materials and workmanship under proper installation and use must be returned to the original authorized Maxxsonics USA Inc. retailer from where it was purchased. A photocopy of the original receipt must accompany the product being returned. The costs associated with removal, re-installation and freight are not the responsibility of Maxxsonics USA Inc. This warranty is limited to defective parts and specifically excludes any incidental or consequential damages connected therewith. To view the full warranty, please visit the website.

MB Quart products are designed and engineered in the USA by
MAXXSONICS®

www.maxxsonics.com

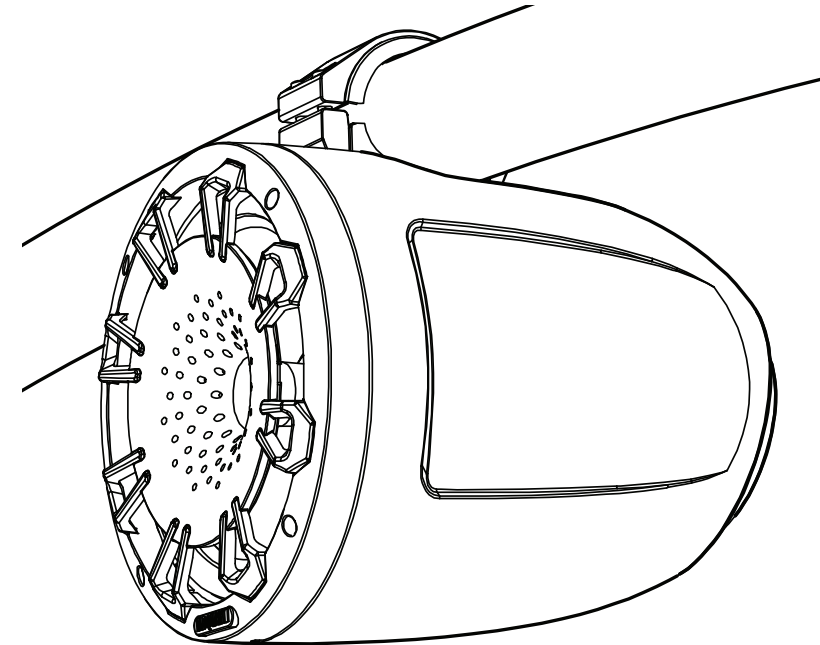
MBQ NHTT QSG 01 - rev1

MBQUART®

MUSIC. DEFINED.

NAUTIC

Quick Start Installation Guide



NHT1-120B NHT1-120LB NHT1-120W NHT1-120LW